

## PRODUCT HIGHLIGHTS

### Excellent Performance

- Up to 35% gradeability, easily handling outdoor needs
- Stable movement, oscillating working at both stowed and raised position

### High Efficiency

- 1.6m(5'3") wide platform with one-way extension platform
- One-click leveling, easy work on uneven road surfaces

### Easy Maintenance

- Two-sided hatchback door design, for convenient maintenance
- Swing-out engine compartment for easy maintenance



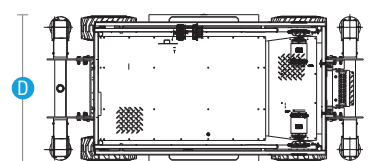
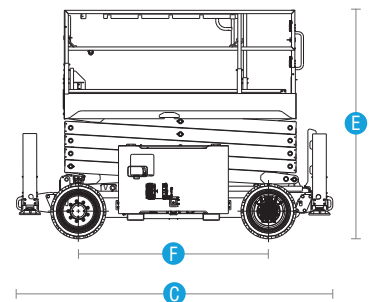
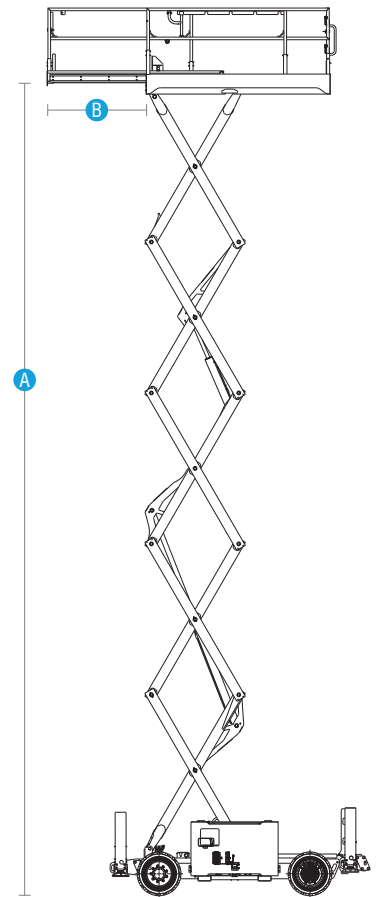
Standard Features		
4 WD × 2 WS	Forklift pockets and lifting points	Proportional control
Manual storage box	Flashing beacon	Emergency lowering system
Emergency stop	Electrophoretic painting	Tilt protection system
Foldable guardrail	Non-marking tires	Trackunit connector
Overload sensing system	Oscillating axle	Fault diagnosis system
White noise alarm	Drivable at full height	
Options & Accessories		
AC power to platform	Platform work light	
EQSS/Protector	Battery isolator	

## ENGINE POWERED ROUGH TERRAIN SCISSOR LIFTS

# 1018RD (3369RD)

Compliant with CE/ANSI/CSA/EAC/AS standards

Model	1018RD (3369RD)
<b>Dimensions</b>	
Max Working Height	12 m (39'4.4")
A Max Platform Height	10 m (32'9.7")
B Max Horizontal Reach	1.5 m (4'11.1")
C Length-Stowed (With/Without outriggers)	3.8 m/3.19 m (12'5.6"/10'5.6")
D Width-Stowed	1.78 m (5'10")
E Height-Stowed (Rails Folded)	1.94 m (6'4.4")
E Height-Stowed (Rails Unfolded)	2.56 m (8'4.8")
F Wheelbase	2.28 m (7'5.8")
Ground Clearance	0.22 m (8.66")
Platform Size (L×W×H)	2.8 m×1.6 m×1.1 m (9'2.2"×5'3"×3'7.3")
<b>Performance</b>	
Platform Capacity	450 kg (992 lbs)
Extension Platform Capacity	140 kg (309 lbs)
Max Platform Occupants (Indoor/Outdoor)	4 Persons/2 Persons
Drive Speed (Stowed)	0~5.6 km/h (0~3.5mph)
Drive Speed (Raised)	0~0.48 km/h (0~0.3 mph)
Lift Time (Unloaded)	42 s~52 s
Lower Time (Unloaded)	40 s~50 s
Gradeability	35%
Tilt Rating (Front-to-back)	3°
Tilt Rating (Side-to-side, Outriggers Retracted/Deployed)	2°/0.8°
Max Outrigger Levelling (Front-to-back)	5.3° (front)/4.2° (back)
Max Outrigger Levelling (Side-to-side)	11.7°
Turning Radius (Inside/Outside)	2.11 m/4.6 m (6'11.1"/15'1.1")
Tire Spec/Type	26×12-16.5/Solid
<b>Power</b>	
Drive × Steer	4 WD×2 WS
Engine	Kubota D1105-E4B-EU-X1
Hydraulic Tank Capacity	72L (15.8gal(UK)/19gal(US))
Fuel Tank Capacity	48L (10.6 gal (UK)/12.7 gal (US))
Battery	12 V, 60 Ah
System Voltage	12 VDC
<b>Weight</b>	
Weight (With outriggers/Without outriggers)	4,110 kg (9,061 lbs)/3,650 kg (8,046 lbs)
<b>Standards Compliance</b>	
CE/ANSI/CSA/EAC/AS	



**Auckland, Head Office**  
6-10 Parkway Drive,  
Mairangi Bay,  
Auckland  
(+64) 09 443 2436  
sales@yrco.co.nz

**Auckland, Mt Wellington**  
20L Sylvia Park Road,  
Mt Wellington,  
Auckland  
(+64) 09 553 5470  
salesmtwell@yrco.co.nz

**Waikato**  
3/31 Chafer Place,  
Te Rapā,  
Hamilton  
(+64) 07 595 0245  
saleswaikato@yrco.co.nz

**Wellington**  
8 Broken Hill Road,  
Porirua,  
Wellington  
(+64) 04 212 2456  
saleswell@yrco.co.nz

**Christchurch**  
20 Nga Mahi Road,  
Sockburn,  
Christchurch  
(+64) 03 341 6923  
saleschch@yrco.co.nz

**4C+**  
CELEBRATING  
OVER 40 YEARS  
IN BUSINESS

**YR Youngman  
Richardson**