

ELECTRIC SCISSOR LIFTS

1414E PLUS (4655E PLUS)

Compliant with CE/ANSI/CSA/AS/KCS/EAC standards



PRODUCT HIGHLIGHTS

Efficient and Environmentally Friendly

- Higher work efficiency
- Environmental protection, zero emissions

Reduced Maintenance Costs

- The short design of sliding rail makes debris easy to clean
- Rapid, convenient transportation with two-way forklift slot
- Lower cost of ownership with highly versatile parts and components

Reliable Performance

- New wide scissor design, for a more stable working-at-height experience
- Bumper rail and indented sliding rail designed for anti-scratch



Standard Features

| | | |
|-------------------------|-------------------------------------|---------------------------|
| 2WD×2WS | Maintenance-free battery | Fault diagnosis system |
| Non-marking tires | Proportional control | Emergency lowering system |
| Emergency stop | Electrophoretic painting | Tilt protection system |
| Flashing beacon | Forklift pockets and lifting points | Overload sensing system |
| Foldable guardrail | Automatic pothole protection | Manual storage box |
| Drivable at full height | Bumper rails | |
| White noise alarm | Trackunit connector | |

Options & Accessories

| | | |
|----------------------|---------------------|------------------|
| RCBO | Platform work light | Battery isolator |
| AC power to platform | EQSS/Protector | |
| Lithium battery | AC drive motor | |

SINOBOOM™

PARTNERS IN ACCESS™

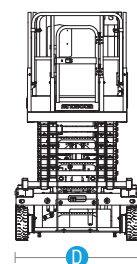
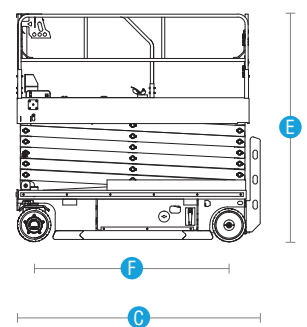
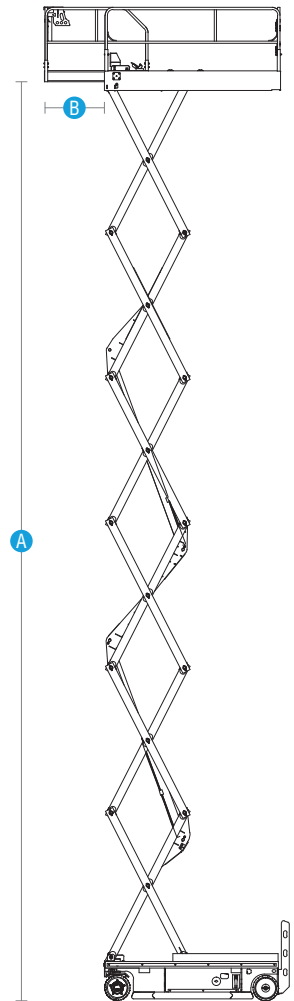
SINOBOOM.COM | SALES@SINOBOOM.COM
32-34 Marni Street, Dandenong South, VIC Australia 3175

ELECTRIC SCISSOR LIFTS

1414E PLUS (4655E PLUS)

Compliant with CE/ANSI/CSA/AS/KCS/EAC standards

| Model | 1414E Plus (4655E Plus) |
|--|---|
| Dimensions | |
| Max Working Height(Indoor/Outdoor) | 15.8 m/10.5 m(51'10"/34'5.4") |
| A Max Platform Height(Indoor/Outdoor) | 13.8 m/8.5 m(45'3"/27'10.6") |
| B Platform Extension | 0.9 m (3') |
| C Length-Stowed | 2.78 m (9') |
| D Width-Stowed | 1.41 m (4'7") |
| E Height-Stowed (Rails Folded) | 1.98 m (6'6") |
| E Height-Stowed (Rails Unfolded) | 2.6 m (8'6") |
| F Wheelbase | 2.22 m (7'3") |
| Ground Clearance (Pothole Guard Stowed) | 0.095 m (3.74") |
| Ground Clearance (Pothole Guard Deployed) | 0.025 m (0.98") |
| Platform Size (L×W×H) | 2.64 m×1.3m×1.1 m (8'8"×4'3"×3'7") |
| Performance | |
| Platform Capacity | 350 kg (772 lbs) |
| Extension Platform Capacity | 120 kg (265 lbs) |
| Max Platform Occupants (Indoor/Outdoor) | 2 Persons/1 Person |
| Drive Speed (Stowed) | 0~4 km/h (0~2.5 mph) |
| Drive Speed (Raised) | 0~0.8 km/h (0~0.5 mph) |
| Lift Time (Unloaded) | 75 s-85 s |
| Lower Time (Unloaded) | 55 s-63 s |
| Gradeability | 25%(AC)/20 %(DC) |
| Max Allowable Inclination (front-to-back/side-to-side) | 3°/1.5° |
| Turning Radius (Inside/Outside) | 0/2.64 m (0/8'8") |
| Tire Size/Type | 380×125 mm (15×5") /solid |
| Power | |
| Drive×Steer | 2 WD×2 WS |
| Power Source (V/kW) | 24V DC/4.5 kW |
| | 24 V DC/0.85 kW |
| Drive Motor (V/kW) | 24 V AC/0.7 kW |
| Hydraulic Tank Capacity | 15L (3.3 gal(UK)/4.0 gal(US)) |
| Batteries | 24 V,280 Ah (Lead acid battery) 25.6 V, 200 Ah (Lithium battery) |
| Charger (Input/Output) | 100~240 V AC/30 A |
| Weight | |
| Weight (Indoor/Outdoor) | 3,660kg (8,069lbs) |
| Standards Compliance | CE/ANSI/CSA/AS/KCS/EAC |



Auckland, Head Office
6-10 Parkway Drive,
Mairangi Bay,
Auckland
(+64) 09 443 2436
sales@yrco.co.nz

Auckland, Mt Wellington
20L Sylvia Park Road,
Mt Wellington,
Auckland
(+64) 09 553 5470
salesmtwell@yrco.co.nz

Waikato
3/31 Chafer Place,
Te Rapa,
Hamilton
(+64) 07 595 0245
saleswaikato@yrco.co.nz

Wellington
8 Broken Hill Road,
Porirua,
Wellington
(+64) 04 212 2456
saleswell@yrco.co.nz

Christchurch
20 Nga Mahi Road,
Sockburn,
Christchurch
(+64) 03 341 6923
saleschch@yrco.co.nz

