

ELECTRIC SCISSOR LIFTS

0407SE (1530SE)

Compliant with CE/AS/CSA/AS/EAC/KCS standards



PRODUCT HIGHLIGHTS

- Easily passes through standard doors and can access elevators
- The short design of sliding rail makes debris easy to clean
- Bumper rail and indented sliding rail designed for anti-scratch
- DC motor drive, giving a longer runtime



Standard Features

2WD×2WS	Maintenance-free battery	Fault diagnosis system
Non-marking tires	Proportional control	Emergency lowering system
Emergency stop	Electrophoretic painting	Tilt protection system
Flashing beacon	Forklift pockets and lifting points	Overload sensing system
Foldable guardrail	Automatic pothole protection	Manual storage box
Drivable at full height	Bumper rails	Auto braking system
White noise Alarm	Trackunit-ready connector	

Options & Accessories

RCBO	Battery isolater	
AC power to platform	EQSS/Protector	

SINOBOOM™

PARTNERS IN ACCESS™

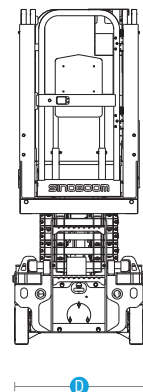
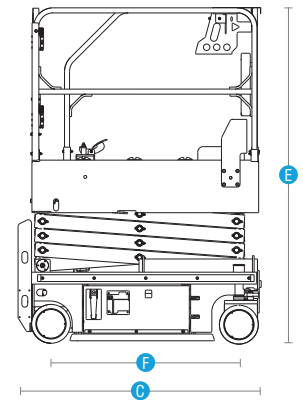
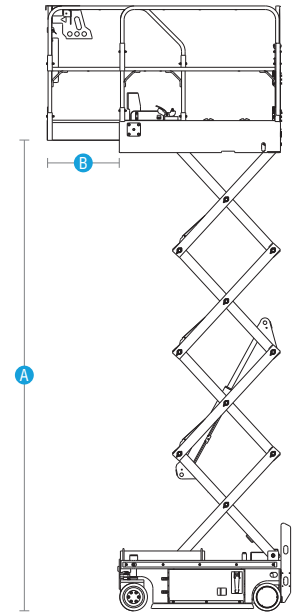
SINOBOOM.COM | SALES@SINOBOOM.COM
32-34 Marni Street, Dandenong South, VIC Australia 3175

ELECTRIC SCISSOR LIFTS

0407SE (1530SE)

Compliant with CE/ANSI/CSA/AS/EAC/KCS standards

Model	0407SE (1530SE)
Dimensions	
Max Working Height(Indoor/Outdoor)	6.5 m/5.8 m (21'3.9"/19')
A Max Platform Height(Indoor/Outdoor)	4.5 m/3.8 m (14'9.2"/12'5.6")
B Platform Extension	0.6 m (2')
C Length-Stowed	1.42 m (4'7.9")
D Width-Stowed	0.76 m (2'5.9")
E Height-Stowed (Rails Folded)	1.67 m (5'5.8")
E Height-Stowed (Rails Unfolded)	1.97 m (6'5.6")
F Wheelbase	1.11 m (3'7.7")
Ground Clearance (Pothole Guard Stowed)	0.061 m (2.4")
Ground Clearance (Pothole Guard Deployed)	0.02 m (0.75")
Platform Size (L×W×H)	1.34 m×0.7 m×1.1 m (4'4.8"×2'3.6"×3'7")
Performance	
Platform Capacity	240 kg (529 lbs)
Extension Platform Capacity	115 kg (254 lbs)
Max Platform Occupants (Indoor/Outdoor)	2 Persons (Indoor) 1 Person (Outdoor)
Drive Speed (Stowed)	0~4 km/h (0~2.5 mph)
Drive Speed (Raised)	0~0.8 km/h (0~0.5 mph)
Lift Time (Unloaded)	20s~23s
Lower Time (Unloaded)	25s~27s
Gradeability	25%
Max Allowable Inclination (front-to-back/side-to-side)	3°/1.5°
Turning Radius (Inside/Outside)	0.3 m/1.35 m (12'/4'5")
Tire Size/Type	255×76 mm (10×3") /solid
Power	
Drive×Steer	2 WD×2 WS
Power Source (V/kW)	24 V/2.2 kW
Drive Motor (V/kW)	24 V DC/0.4 kW
Hydraulic Tank Capacity	4 L (0.9 gal (UK)/1.05 gal(US))
Batteries	24 V,120 Ah (Lead acid battery)
Charger (Input/Output)	100~240 V AC/15 A
Weight	
Weight (Indoor/Outdoor)	880 kg (1,941 lbs)
Standards Compliance	CE/ANSI/CSA/AS/EAC/KCS



Auckland, Head Office
6-10 Parkway Drive,
Mairangi Bay,
Auckland
(+64) 09 443 2436
sales@yrco.co.nz

Auckland, Mt Wellington
20L Sylvia Park Road,
Mt Wellington,
Auckland
(+64) 09 553 5470
salesmtwell@yrco.co.nz

Waikato
3/31 Chafer Place,
Te Rapa,
Hamilton
(+64) 07 595 0245
saleswaikato@yrco.co.nz

Wellington
8 Broken Hill Road,
Porirua,
Wellington
(+64) 04 212 2456
saleswell@yrco.co.nz

Christchurch
20 Nga Mahi Road,
Sockburn,
Christchurch
(+64) 03 341 6923
saleschch@yrco.co.nz

4C+
CELEBRATING
OVER 40 YEARS
IN BUSINESS

**YR Youngman
Richardson**