

Genie® GS™ -1932

Specifications

| Models | GS-1932 (Full Outdoor Height) | |
|--|-------------------------------|--------|
| Measurements | US | Metric |
| Working height max. - indoor ⁽¹⁾ | 24 ft 6 in | 7.64 m |
| Working height max. - outdoor ⁽¹⁾ | 24 ft 6 in | 7.64 m |
| A Platform height max. - indoor | 18 ft 6 in | 5.64 m |
| A Platform height max. - outdoor | 18 ft 6 in | 5.64 m |
| B Platform height - stowed | 2 ft 11 in | 0.89 m |
| C Platform length - outside | 6 ft 2 in | 1.88 m |
| C Platform length - outside, extended | 9 ft 2 in | 2.79 m |
| Slide-out platform extension deck - length | 3 ft | 0.91 m |
| D Platform width - outside | 2 ft 6.5 in | 0.78 m |
| Guardrail height | 3 ft 7 in | 1.10 m |
| Toeboard height | 6 in | 15 cm |
| E Machine Height - stowed (fixed guardrails) | 6 ft 7 in | 2.00 m |
| F Length machine - stowed (integrated ladder or w/out ladder) | 6 ft 2 in | 1.88 m |
| Length machine - stowed, extended | 9 ft 2 in | 2.79 m |
| G Width | 2 ft 8 in | 0.81 m |
| H Wheelbase | 5 ft 1 in | 1.55 m |
| I Ground clearance (center) - pothole guards retracted | 4 in | 10 cm |
| I Ground clearance - pothole guards deployed | 0.8 in | 2 cm |

Productivity

| | | |
|---|-------------|----------|
| Max. platform occupancy (in/out) | 2/1 | |
| Lift capacity | 500 lb | 227 kg |
| Lift capacity - extension deck extended | 250 lb | 113 kg |
| Max. platform drive height | 18 ft 6 in | 5.64 m |
| Drive speed - stowed | 2.5 mph | 4.0 km/h |
| Drive speed - raised | 0.5 mph | 0.8 km/h |
| Gradeability - stowed ⁽²⁾ | 25% | |
| Turning radius - inside/outside | 0/5 ft 1 in | 0/1.80 m |
| Lifting speed - raise/lower | 33/30 sec | |
| Tilt sensor activation (front to back/side to side) | 3°/1.5° | |
| Tires - solid non-marking | 12×4.5 in | 31×11 cm |

Power

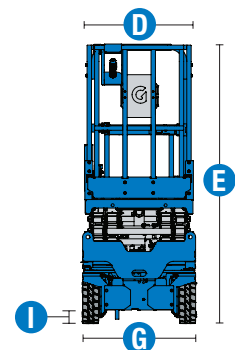
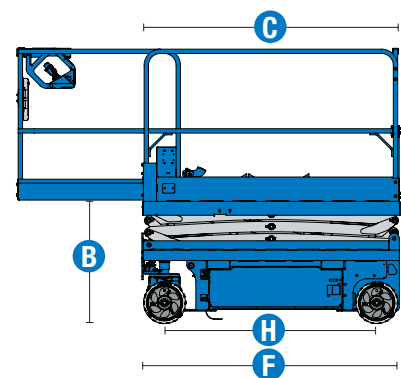
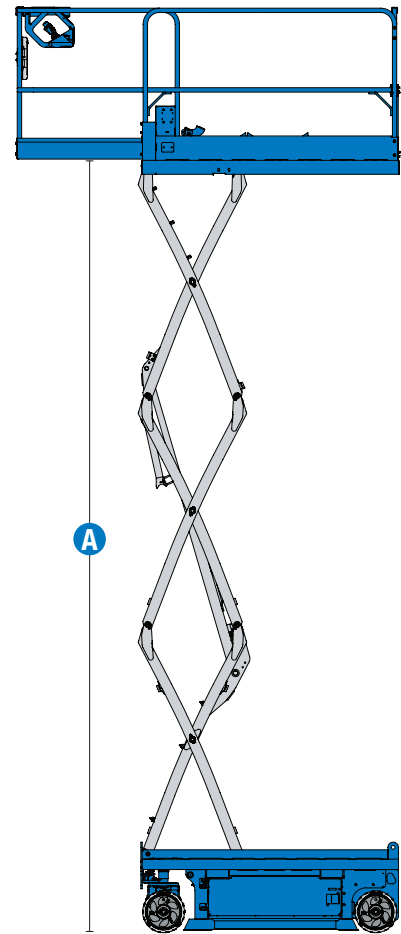
| | | |
|----------------------------|------------------------------|-------|
| Power - FLA ⁽³⁾ | 24V DC (2×12V 150Ah) | |
| Power - AGM | 24V DC (2×12V 145Ah) | |
| Power - Lithium-Ion | 24V DC (1×24V 90Ah or 100Ah) | |
| Hydraulic tank capacity | 1.6 gal | 6.1 L |

Weight(4) and Floor Loading⁽⁵⁾

| | | |
|---|----------|-----------|
| Weight | 3,395 lb | 1,540 kg |
| Weight max. (adding all possible options) | 3,655 lb | 1,658 kg |
| Tire load max. | 1,710 lb | 776 kg |
| Tire contact pressure | 190 psi | 1,310 kPa |
| Occupied floor pressure | 253 psf | 12.10 kPa |

Sound and Vibration Levels

| | | |
|---|----------------------------|------------------------|
| Sound Pressure level (ground workstation) | < 70 dBA | |
| Sound Pressure level (platform workstation) | < 70 dBA | |
| Vibrations | < 8 ft 2 in/s ² | < 2.5 m/s ² |



(1) The metric equivalent of working height adds 2 m to platform height. US adds 6 ft to platform height.
 (2) Gradeability applies to driving on slopes and may vary depending on options and machine configurations. See operator's manual for details regarding slope ratings.
 (3) Subject to regional availability.
 (4) Weight refers to standard configuration and may vary depending on options and/or country standards.
 (5) Floor loading information is approximate and may vary depending on options and machine configurations. It should be used only with adequate safety factors.

Genie® GS™ -1932

SKU: Standard Model

- **GS1932E1UE0033:** GS-1932, E-Drive, Fixed Rails, Full Outdoor Height
- GS-1932, E-Drive, E-Lift, Lithium-ion*

* Build to Order

| Option availability | | S | S+ | BtO |
|-----------------------------|--|---|----|-----|
| Power | AGM Maintenance-free batteries | ✓ | ✓ | ✓ |
| | Lithium-Ion battery, UL certified | | | ○ |
| | Battery Isolation Kit | | ✓ | |
| | Dual Pole Battery Isolation Kit | | ○ | ○ |
| | Rear recessed charger receptacle | ✓ | ✓ | ✓ |
| Platform | Fixed rails, Half-height swing gate | ✓ | ✓ | ✓ |
| | Slide out extension deck | ✓ | ✓ | ✓ |
| | 240Volt Power To Platform Kit | | | ○ |
| | EQSS Overwatch Smartlink | | ○ | ○ |
| | Forming Platform Controls Smartlink GS | ✓ | ✓ | ✓ |
| | Platform Worklights (Single) | | ○ | ○ |
| | White Noise Alarm Kit | ✓ | ✓ | ✓ |
| | Descent, tilt and motion alarm | ✓ | ✓ | ✓ |
| | Diamond plate platform deck | ✓ | ✓ | ✓ |
| | Dual LED flashing beacons | ✓ | ✓ | ✓ |
| | Electric horn | ✓ | ✓ | ✓ |
| | Lanyard attachment points | ✓ | ✓ | ✓ |
| | Platform load sense system | ✓ | ✓ | ✓ |
| | Proportional drive and lift | ✓ | ✓ | ✓ |
| | SmartLink single zone control system | ✓ | ✓ | ✓ |
| Chassis | Lift Connect Telematics | | ○ | ○ |
| | Telematics-ready | ✓ | ✓ | ✓ |
| | Lift Connect with Access Manager upgrade | | ○ | ○ |
| | Battery Guard - Anti-theft | | ○ | ○ |
| | Lift Tools Spill Guard | | | ○ |
| | Wheel Chock Kit | | ○ | ○ |
| | Auxiliary platform lowering | ✓ | ✓ | ✓ |
| | Driveable at full height | ✓ | ✓ | ✓ |
| | Dual front wheel sealed AC electric drive motors | ✓ | ✓ | ✓ |
| | Electric brake release | ✓ | ✓ | ✓ |
| | On board diagnostic system with battery charge indicator | ✓ | ✓ | ✓ |
| | Pothole protection | ✓ | ✓ | ✓ |
| | Side and rear fork pockets | ✓ | ✓ | ✓ |
| | Solid non-marking tires | ✓ | ✓ | ✓ |
| | Tech Pro Link connector | ✓ | ✓ | ✓ |
| Tie-down and lifting points | ✓ | ✓ | ✓ | |

- S Standard
- S+ Standard +
- BtO Build to Order
- ✓ Standard Features
- Options



Durable Link Stack Design



More Platform Workspace



Standard Fixed Guard Rails



Genie Genuine Accessories⁽¹⁾

- Lift Tools Work Tray
- Lift Tools Productivity Tools
- Lift Guard Safety Tools
- Tech Pro Link Handheld Device

(1) More accessories available from Genie Genuine Parts.

Product specifications are subject to change without notice or obligation. Photographs and/or drawings herein are for illustrative purposes only. Refer to the appropriate Operator's Manual for instructions on proper equipment use. Failure to follow instructions in the Operator's Manual may result in serious injury or death. The only warranty applicable to our equipment is the standard written warranty applicable to the particular product and sale and we make no other warranty, express or implied. Products and services listed may be trademarks, service marks or trade names of Terex Corporation and/or their subsidiaries in the USA and many other countries. Terex, Genie, Quality By Design, Xtra Capacity, Lift Power, Lift Guard, Lift Tools, Lift Connect and Tech Pro Link are registered trademarks of Terex Corporation or its subsidiaries.