

**GENERAC®**

**MOBILE**



**SPARE PARTS**

**SOLAR**

SP043-01-00-00  
24-01-2020

SOLAR

**INDEX**

<b>1</b>	<b>PARTS LIST .....</b>	<b>5</b>
1.1	COMMAND PANEL .....	5
1.2	BOX COMMAND PANEL .....	7
1.3	FRONT PANEL MAINS EEC PLUG .....	9
1.4	FRONT PANEL MAINS CLIPSAL PLUG .....	10
1.5	INVERTER CONTROL PANEL .....	11
1.6	CANOPY .....	12
1.7	DOORS .....	13
1.8	STABILIZERS .....	14
1.9	BASE .....	15
1.10	RECHARGEABLE BATTERIES BOX .....	16
1.11	PHOTOVOLTAIC PANELS .....	18
1.12	MAST BASE .....	20
1.13	TELESCOPIC MAST .....	21
1.14	FLOODLIGHTS GROUP .....	22
1.15	TRAILER SLOW TOWING (ONLY ON REQUEST) .....	23
1.16	TRAILER SLOW TOWING ADJUSTABLE IN HEIGHT (ONLY ON REQUEST) .....	24
1.17	TRAILER FOR FAST TOWING FIXED (A TYPE) (ONLY ON REQUEST) .....	25
1.18	STICKERS FOR LIGHTING TOWER .....	26

**SOLAR****GB - SPARE PARTS ORDER**

Please be prepared to provide the following information when ordering spare parts:

- **Model**
- **Serial number**
- **Code and quantity.**

**NOTE: Codes of painted parts in colors not listed must be specified when ordering (ending with [-CV] instead of [-V])**

**F - COMMANDES DE PIÈCES DÉTACHÉES**

Pour commander les pièces détachées, toujours fournir:

- **modèle**
- **référence**
- **quantité de la pièce commandée**

**NOTE: les références de pièces peintes d'une couleur non standard doivent être précisées avant la commande (la terminaison sera [-CV] au lieu de [-V])**

**D - ERSATZTEILE BESTELLEN**

Halten Sie bei der Bestellung von Ersatzteilen folgende Informationen bereit:

- **modell**
- **Seriennummer**
- **Code und Menge**

**HINWEIS: Die Teilecodes, die in anderen als den aufgelisteten Farben lackiert sind, müssen in der Reihenfolge angegeben werden (das letzte ist [-CV] anstelle von [-V])**

**NL - ONDERBELEN BESTELLEN**

Bij het bestellen van reserve onderdelen verzoeken wij u de volgende gegevens te vermelden:

- **Machine model**
- **Machine serienummer**
- **Artikelnummer en hoeveelheid onderdelen**

**Attentie: artikelnummers van onderdelen in een kleur die afwijkt van de standaard, moeten worden gespecificeerd (eindigt met [-CV] in plaats van [-V])**

**I - ORDINE DEI RICAMBI**

In caso di ordine di ricambi siate pronti a fornire le seguenti informazioni:

- **Modello**
- **Numero di serie**
- **Codice e quantità**

**NOTA: i codici di parti verniciate in colori diversi da quelli elencati devono essere specificati in fase di ordine (il finale sarà [-CV] invece di [-V])**

**E - PEDIDO DE REPUESTOS**

Cuando solicite piezas de repuesto, prepárese para proporcionar la siguiente información:

- **Modelo**
- **Número de serie**
- **Código y cantidad**

**NOTA: los códigos de partes pintadas en colores distintos a los enumerados deben especificarse en la orden (el final será [-CV] en lugar de [-V])**

**P - PEDIDO DE PEÇAS DE REPOSIÇÃO**

Ao encomendar peças de reposição, esteja pronto para fornecer as seguintes informações:

- **Modelo**
- **Número de série**
- **Código e quantidade**

**OBSERVAÇÃO: os códigos de peças pintadas em cores diferentes das listadas devem ser especificados na ordem (a final será [-CV] em vez de [-V])**

SOLAR

**GENERAC MOBILE PRODUCTS S.r.l.**

Via Stazione, 3 bis  
27030 Villanova d'Ardenghi (PV)  
ITALY

Tel.: +39 0382 567011

Fax: +39 0382 400247

Web site:

<https://www.towerlight.com>

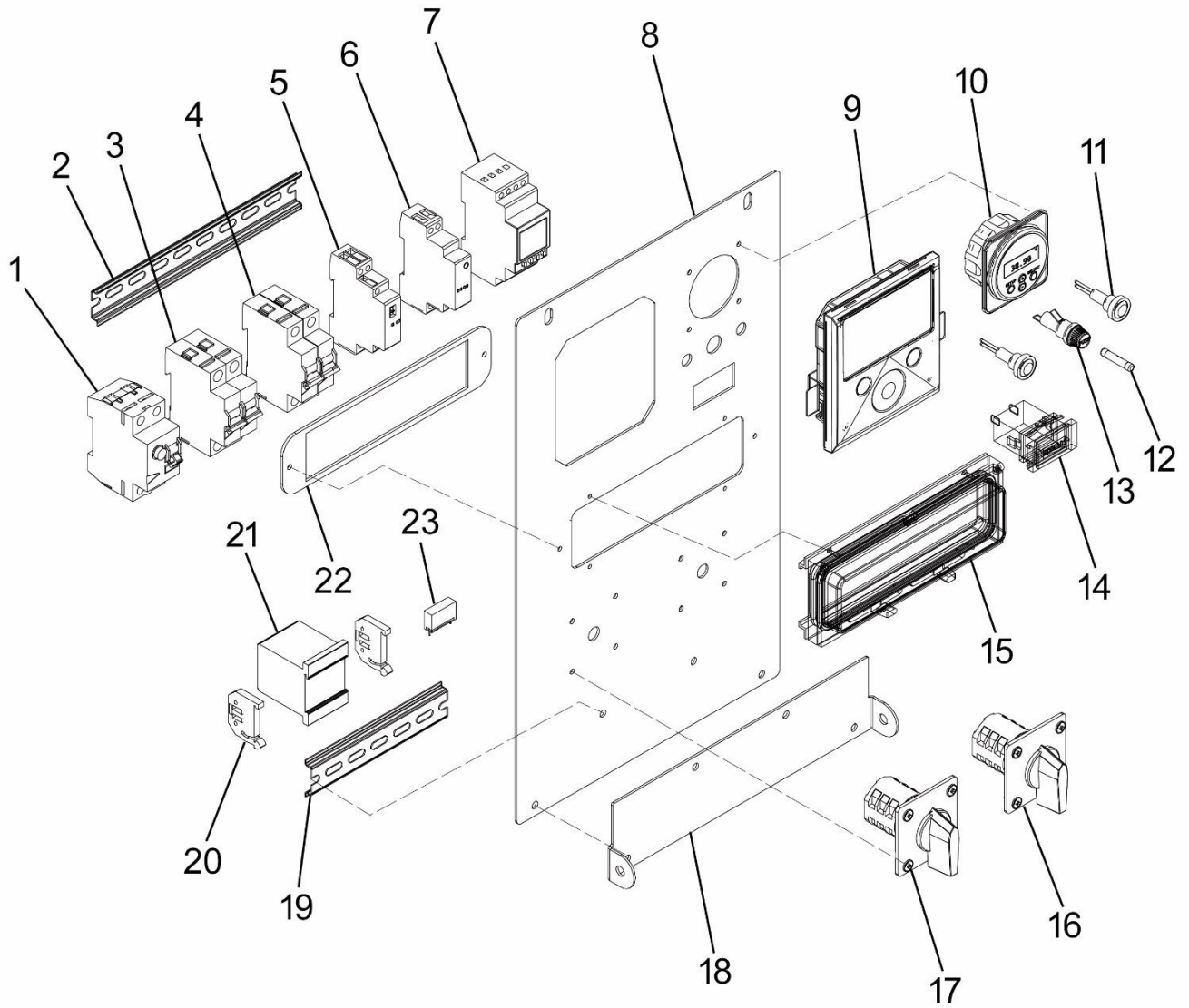
E-mail:

[info@towerlight.com](mailto:info@towerlight.com)

SOLAR

# 1 PARTS LIST

## 1.1 COMMAND PANEL

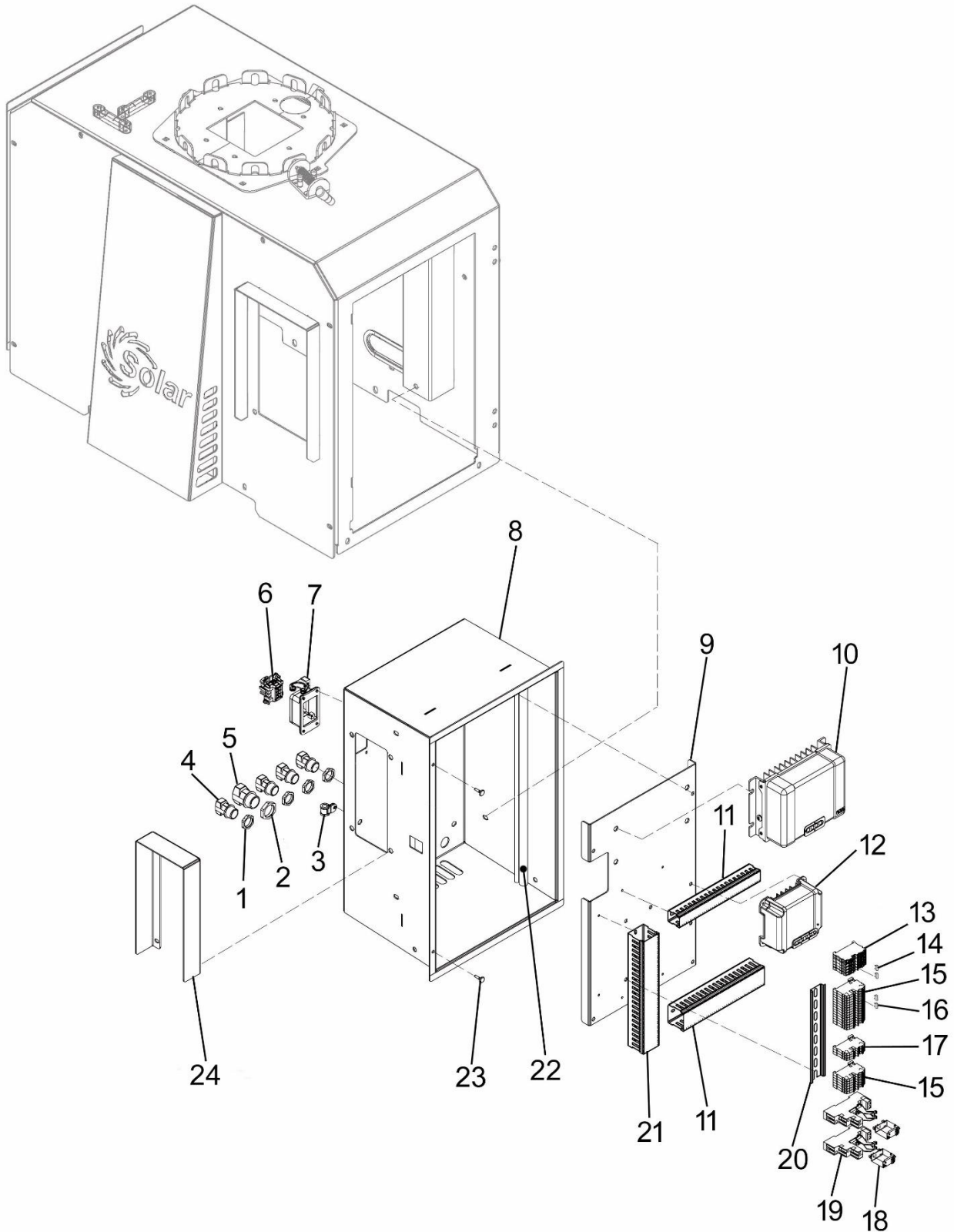


SOLAR

Items	Code	Denomination
1	15912	16 A (Cl.A) C curve (30 MA) RCBO combined RCD/MCB device
2	7806-230	Support
3	12224	16 A (PI 6kA) 1P+N circuit breaker
4	6931	16 A 2P circuit breaker
5	16446	12 V AC/DC 2NO 25 A modular contactor
6	17476	12/24 V DC Finder light sensor
7	11966	12 V DC timer
8	18778-01X	Aluminium front plate
9	18684	Control panel
10	16459-01	Battery monitor
10	16459-03	RJ12 network cable for battery monitor
11	7996	12 V red signal lamp
12	13686	10 A fuse of glass
13	10046	Fuse holder
14	6805	230 V 50 Hz hour meter
15	15938	10P Wimex protection
16	12691	4G10-NH-124-U 0-1-2-3 selector
17	17137	4G10NH-100-U 0-1 selector
18	18779-V	Front plate support (V=white painted)
19	7806-150	Support
20	11327	Stop terminal board black
21	15777	4P 20 A 12 V contactor
22	7117-41	Circuit breakers support plate
23	12767	4,7 $\mu$ F 100 V capacitor

SOLAR

1.2 BOX COMMAND PANEL



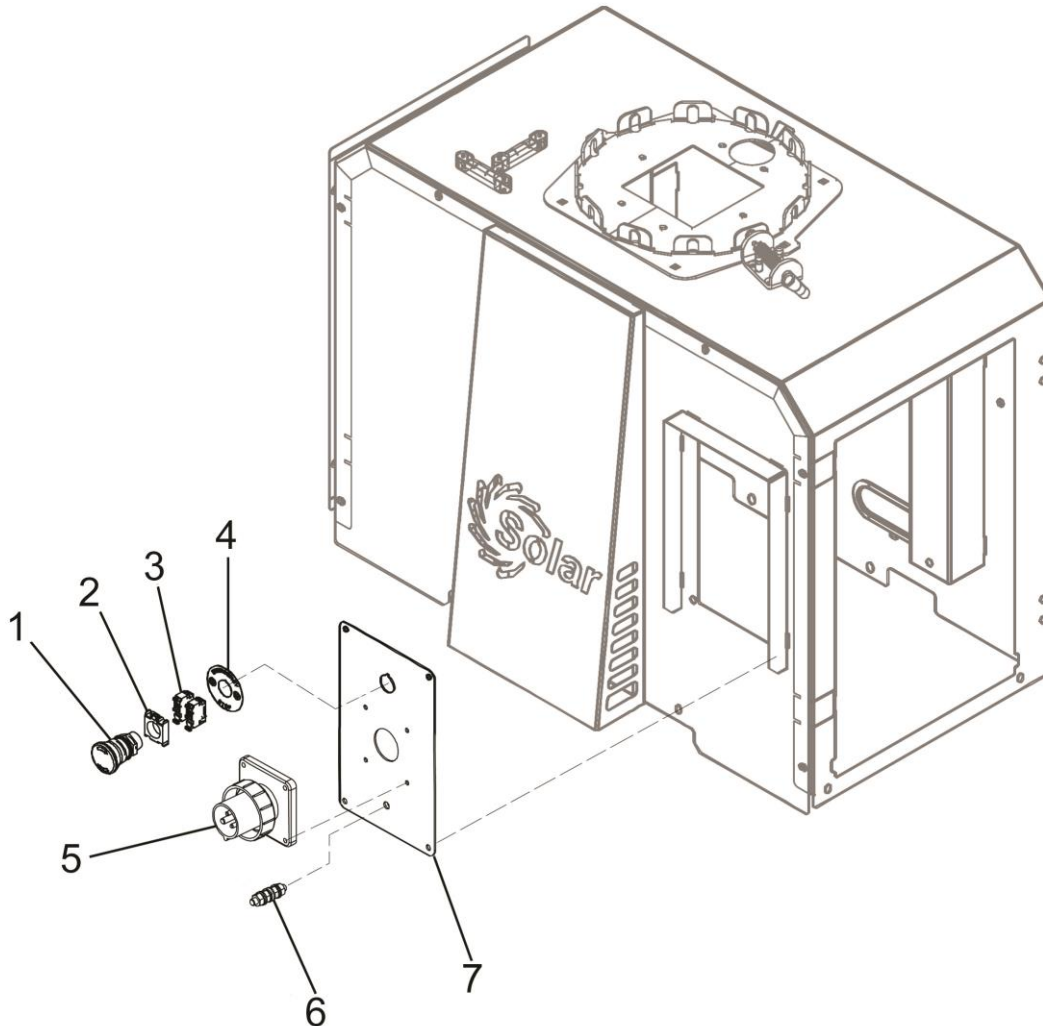
SOLAR

Items	Code	Denomination
1	CA26CD20	Lock nut PA6 M20 black
2	CA26CD25	Lock nut PA6 M25 black
3	1055	RSGU1 10/15-clamp
4	CA26RC020	SF 12/13 M20 fitting
5	CA26RC025	SF NW 17 M25 fitting
6	7571	6P female terminal board
7	13460-15	6P fixed housing with side hook
8	18775-V	Control box (V=white painted)
9	18777	Instrument plate
10	18682	Charge controller
11	8327-200	40x40 cable duct
12	18683	DC/DC converted
13	12716	4 mm <sup>2</sup> grey 2 conductor terminal board
14	14766	4/6 mm <sup>2</sup> 2 way white terminal board connection
15	16319	2,5 mm <sup>2</sup> grey 2 conductor terminal board
16	16318	2,5 mm <sup>2</sup> 2 way white terminal board connection
17	16320	2,5 mm <sup>2</sup> yellow/green 2 conductor terminal board
18	15927	S46 1C relay base
19	16577	1CO 16 A 12 V DC relay
20	7806-195	Support
21	8327-240	40x40 cable duct
22	6226-1150	Rubber profile gasket with core
23	11588	D.5 rubber bumpers
24	18776-V	Plug protection (V=white painted)



SOLAR

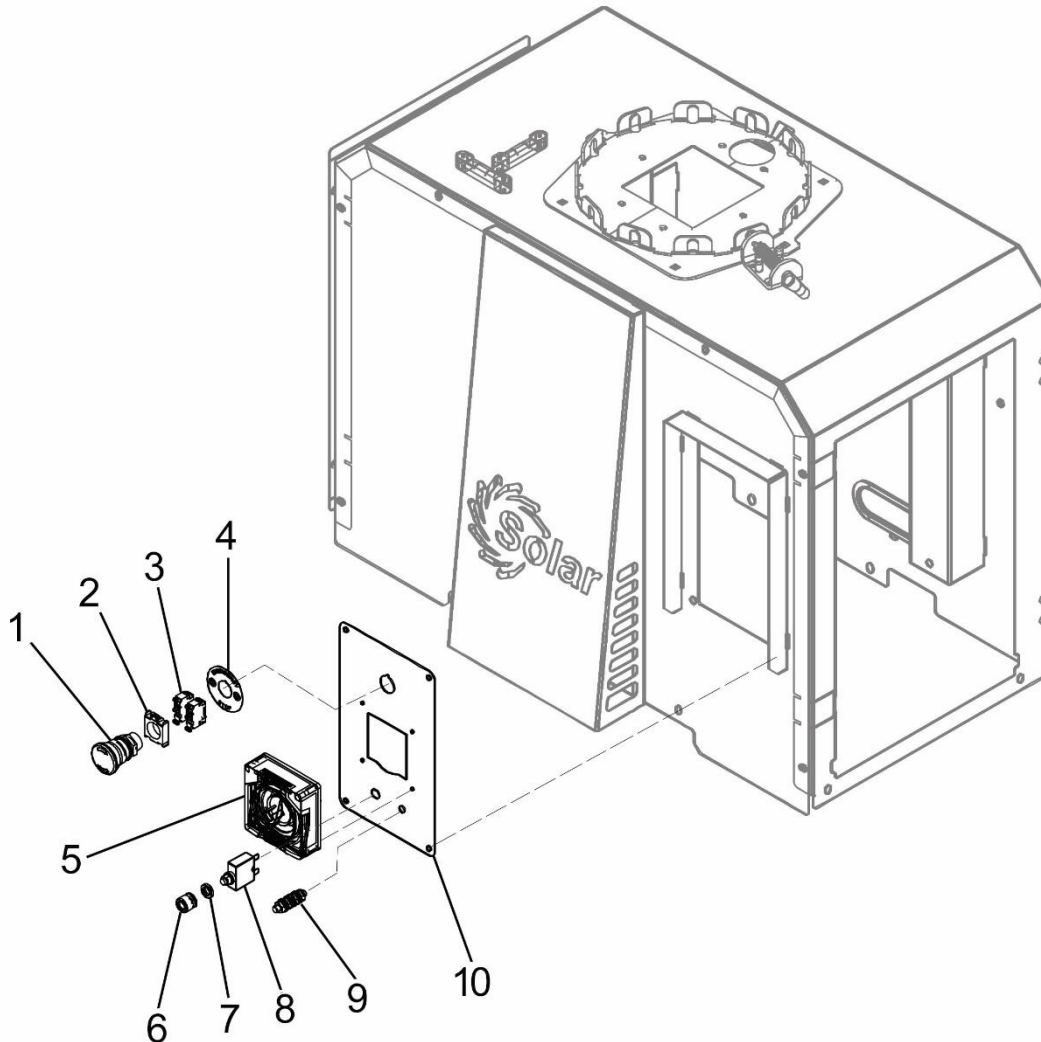
**1.3 FRONT PANEL MAINS EEC PLUG**



Items	Code	Denomination
1	6188-01	Emergency stop button
2	15073-01	Emergency stop button base
3	6189-01	Contact for emergency stop button
4	16190	Emergency stop label
5	14636	230÷240V 16 A IP67 EEC single phase plug
6	6840	Main Earth Terminal
7	18783-V	Front plate (V=black painted)

SOLAR

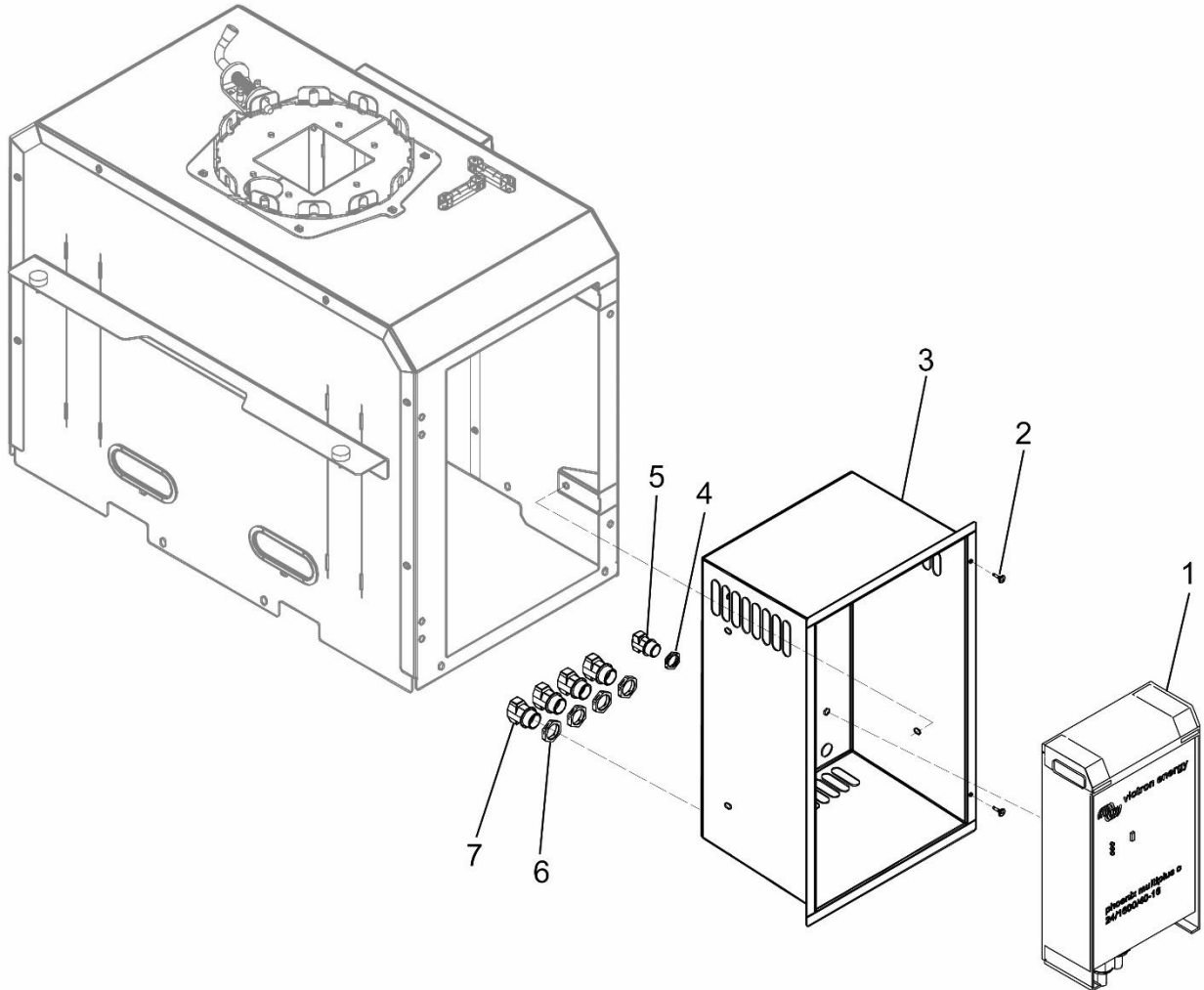
**1.4 FRONT PANEL MAINS CLIPSAL PLUG**



Items	Code	Denomination
1	6188-01	Emergency stop button
2	15073-01	Emergency stop button base
3	6189-01	Contact for emergency stop button
4	16190	Emergency stop label
5	16932	250V 10 A IP66 Clipsal single phase plug
6	6725	Rubber for circuit breaker protection
7	6726	Ring for circuit breaker
8	8669	10 A push button circuit breaker
9	6840	Main Earth Terminal
10	19065-V	Front plate (V=black painted)

SOLAR

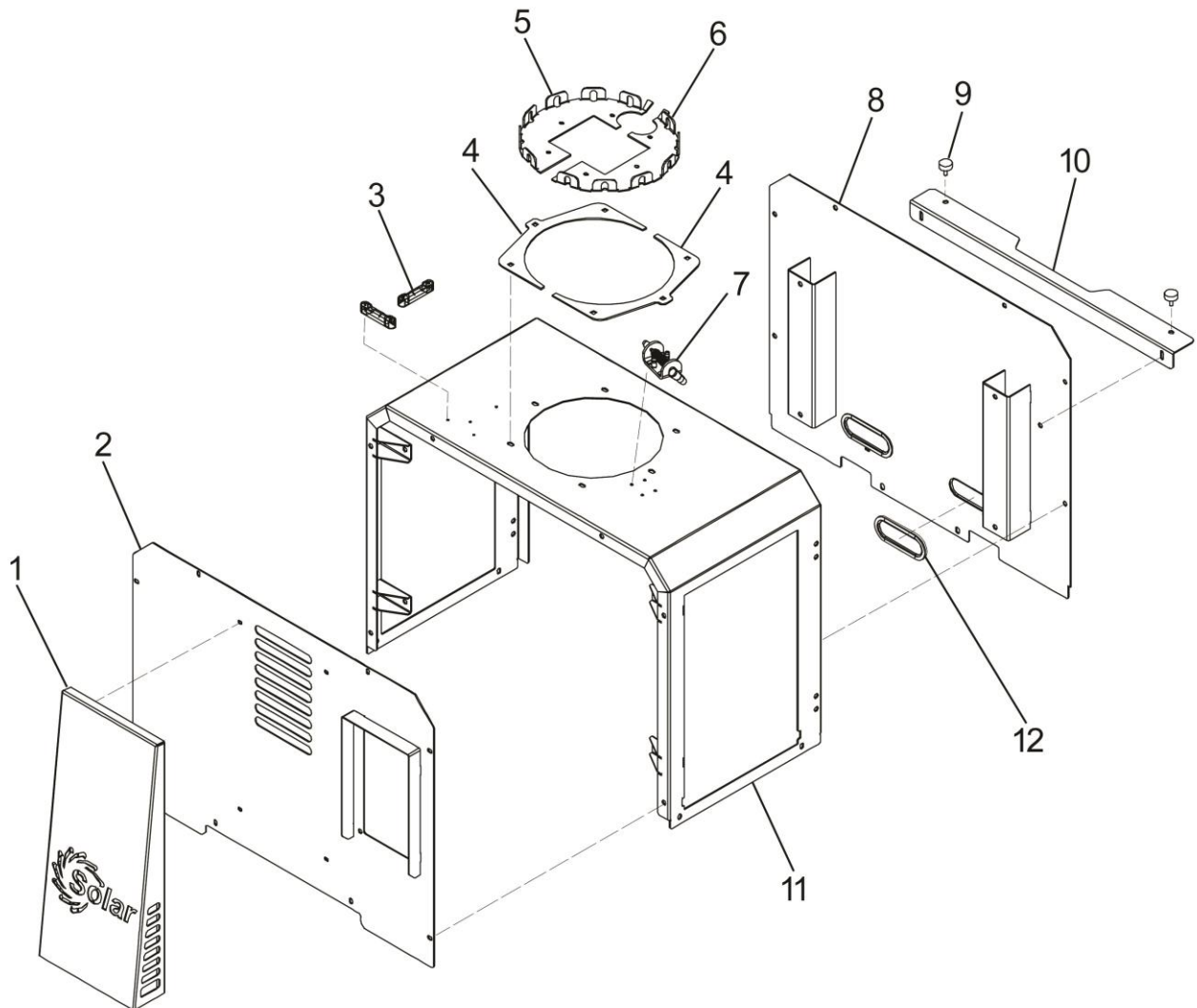
**1.5 INVERTER CONTROL PANEL**



Items	Code	Denomination
1	18681	24/1600/40-16 B.C. inverter
2	11588	D.5 rubber bumpers
3	18774-V	Inverter box (V=white painted)
4	CA26CD20	Lock nut PA6 M20 black
5	CA26RC020	SF 12/13 M20 fitting
6	CA26CD25	Lock nut PA6 M25 black
7	CA26RC025	SF NW 17 M25 fitting

SOLAR

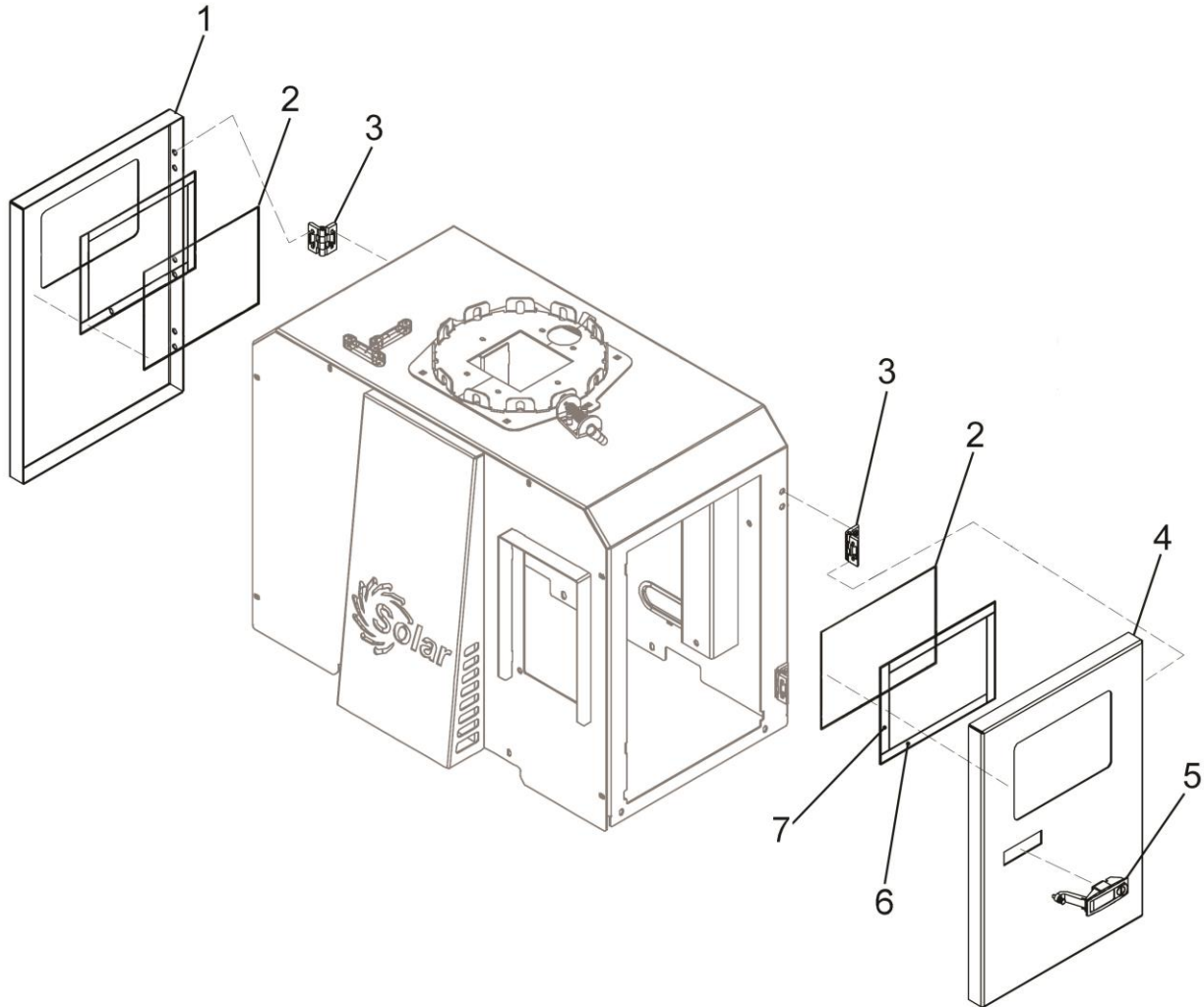
**1.6 CANOPY**



Items	Code	Denomination
1	18773-V	Front cover (V=white painted)
2	18771-V	Front closure (V=white painted)
3	7237	Spirit level
4	15451-27-Z	Mast guide flange
5	15451-28-DX-Z	Right mast guide disk with blocking
6	15451-28-SX-Z	Left mast guide disk with blocking
7	8178	Closing look pin
8	18770-V	Mast support plate (V=white painted)
9	6943	D25x10 1xM6 shock absorber
10	18772-V	Tilting frame support plate (V=white painted)
11	18918-V	Canopy (V=white painted)
12	7858-290	Rubber profile gasket with metal core

SOLAR

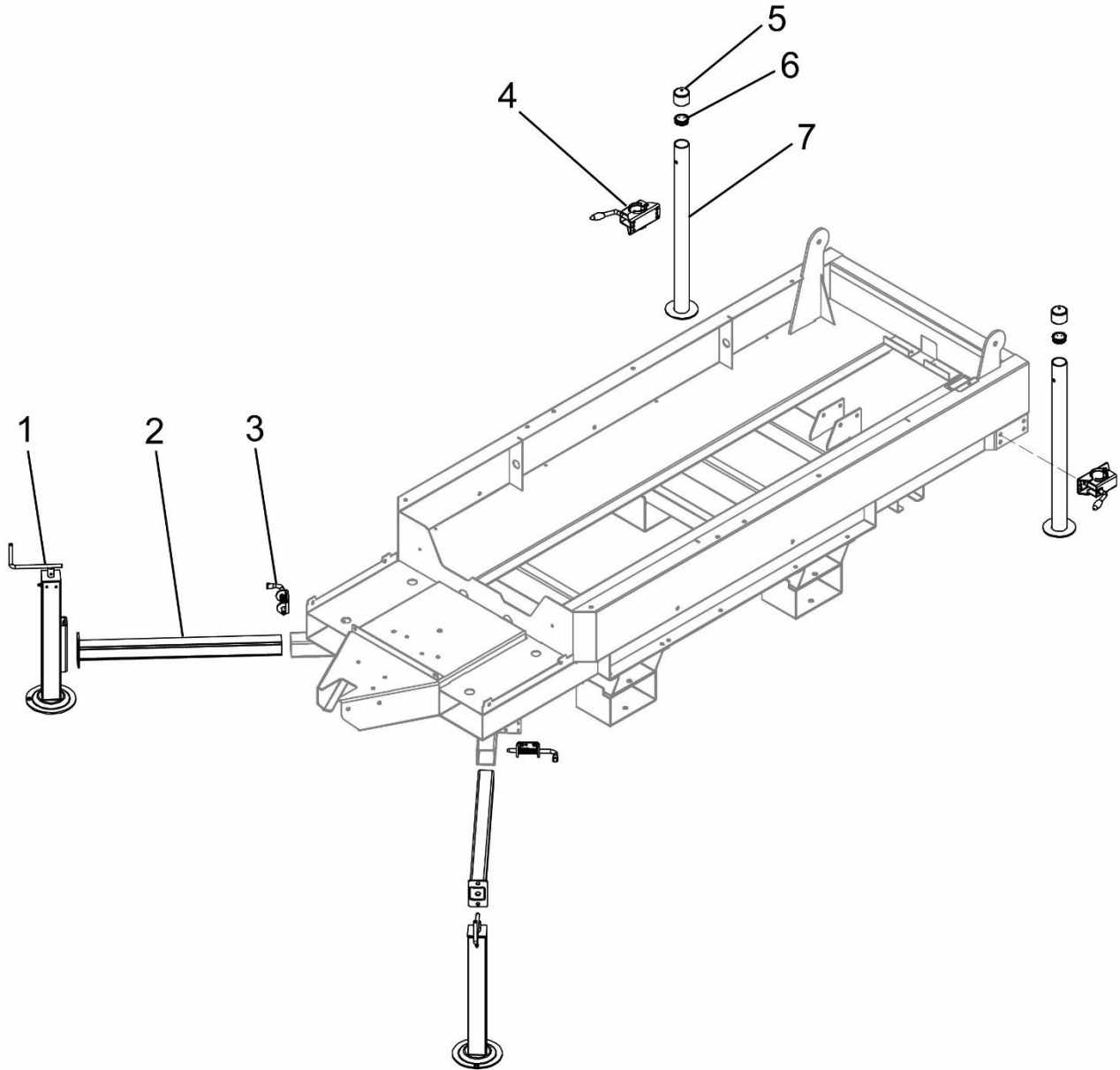
1.7 DOORS



Items	Code	Denomination
1	18781-V	Right door (V=white painted)
2	18782	Lexan panel
3	16406	Hinge
4	18780-V	Left door (V=white painted)
5	16439	Closing recessed with lock
6	19024-240	Double-side tape fixing lexan panel
7	19024-171	Double-side tape fixing lexan panel

SOLAR

**1.8 STABILIZERS**

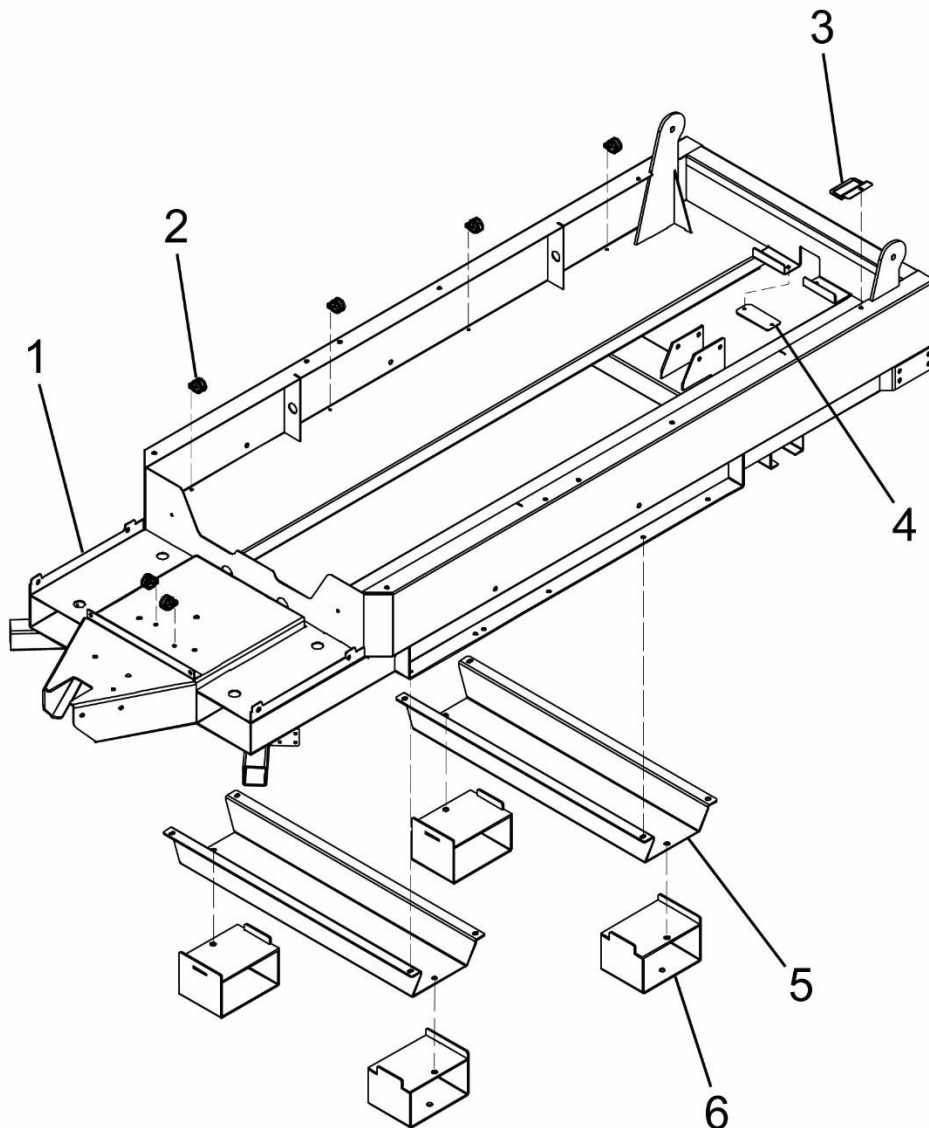


Items	Code	Denomination
1	7880-Z	Stabilizer
2	18788-Z	Tubular for stabilizer
3	7654	Closing look pin
4	7507-2	Clamp for foot
5	15185	D.48 black cap
6	6249	Support foot cap
7	6229-Z	Support foot



SOLAR

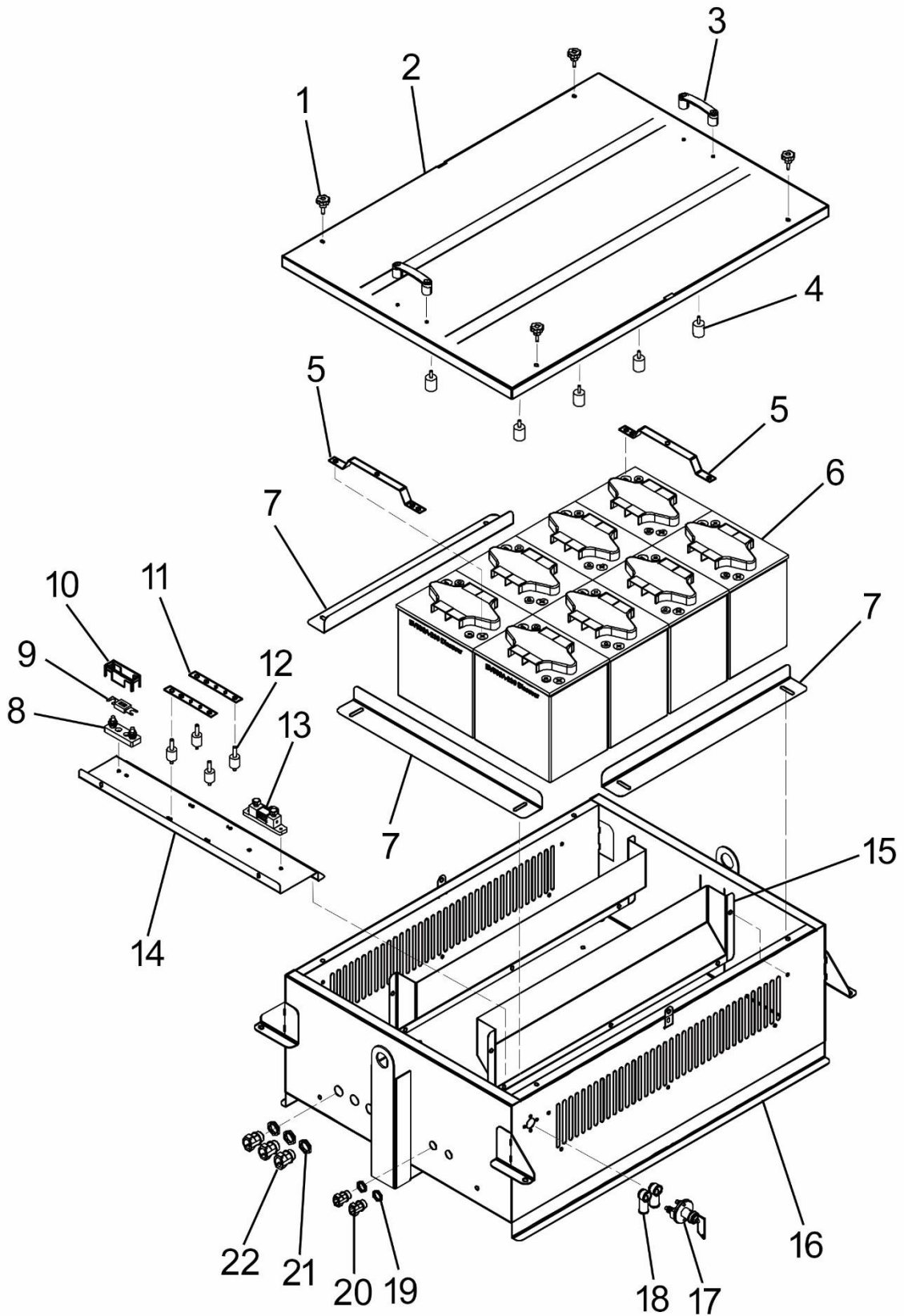
1.9 BASE



Items	Code	Denomination
1	18767-V	Base (V=black painted)
2	11472	RSGU1 30/15-clamp
3	19127-Z	Stabilizer handle support plate
4	18769-V	Rear closing plate (V=black painted)
5	18768-V	Side plate forking (V=black painted)
6 <sup>(1)</sup>	19043-V	Base plate (V=black painted)
<sup>(1)</sup>		<b>Valid for version on base</b>

SOLAR

1.10 RECHARGEABLE BATTERIES BOX



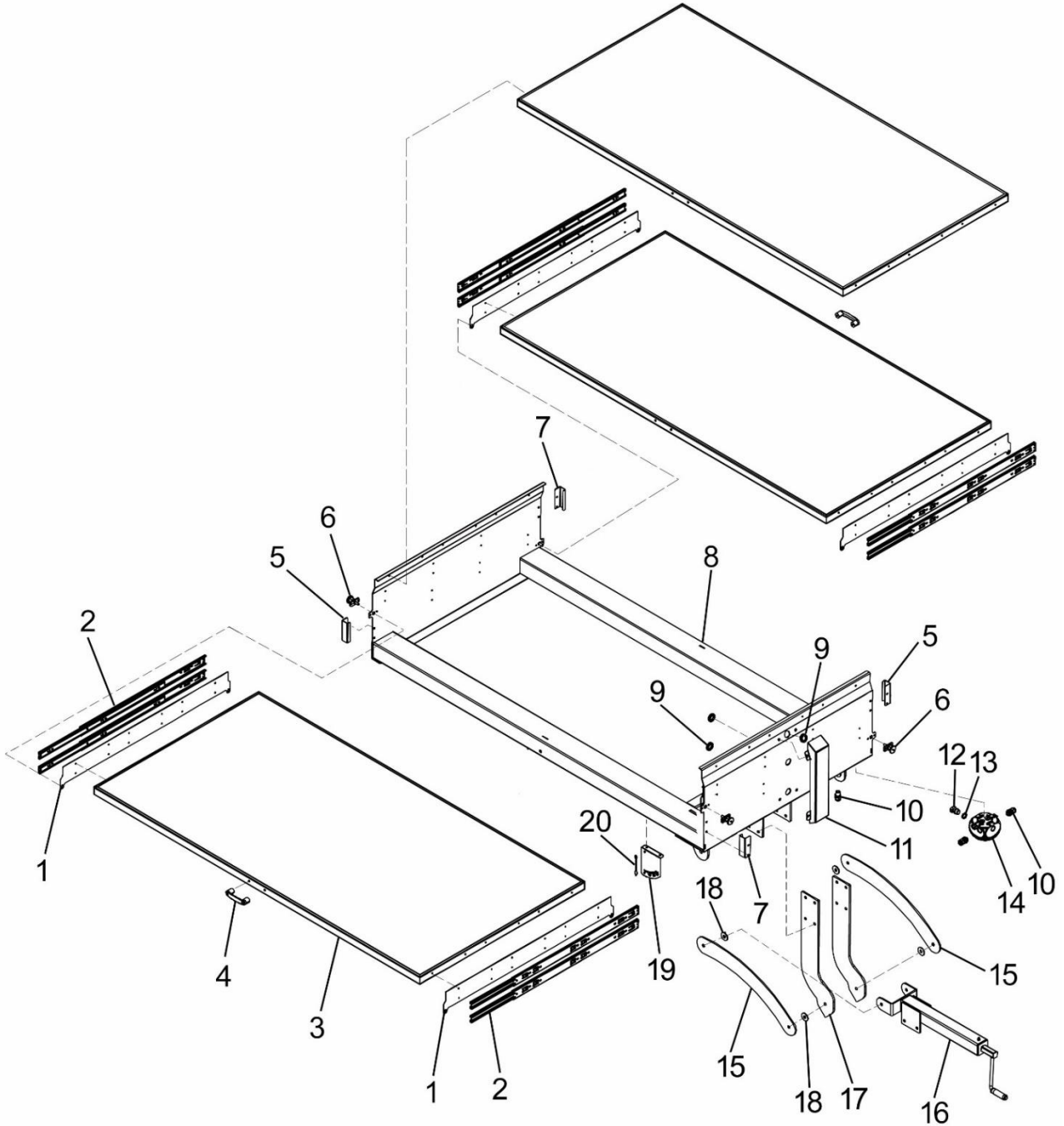


SOLAR

Items	Code	Denomination
1	7669	6 lobe knob
2	18794-V	Battery cover (V=white painted)
3	13836	Handle
4	7102	D.25x30 1xM6 shock absorber
5	18793	Copper plate for battery connection
6	16349	AGM 6V EV506A-230 rechargeable battery
7	18795-V	Battery stop plate (V=white painted)
8	17699	Fuse holder
9	17698	80 A 48 V fuse
10	17700	Fuse cover
11	18797	Copper plate
12	16089	M/M M8x26 M6x13 isolator
13	16459-02	500 A 50 MA shunt
14	18792-V	Fuse and shunt support plate (V=white painted)
15	18796-V	Battery compartment side plate (V=white painted)
16	18791-V	Battery compartment (V=white painted)
17	7672-C	100 A battery switch with key
18	12144	Rubber protection for battery switch
19	CA26CD20	Lock nut PA6 M20 black
20	CA26RC020	SF 12/13 M20 fitting
21	CA26CD25	Lock nut PA6 M25 black
22	CA26RC025	SF NW 17 M25 fitting

SOLAR

1.11 PHOTOVOLTAIC PANELS

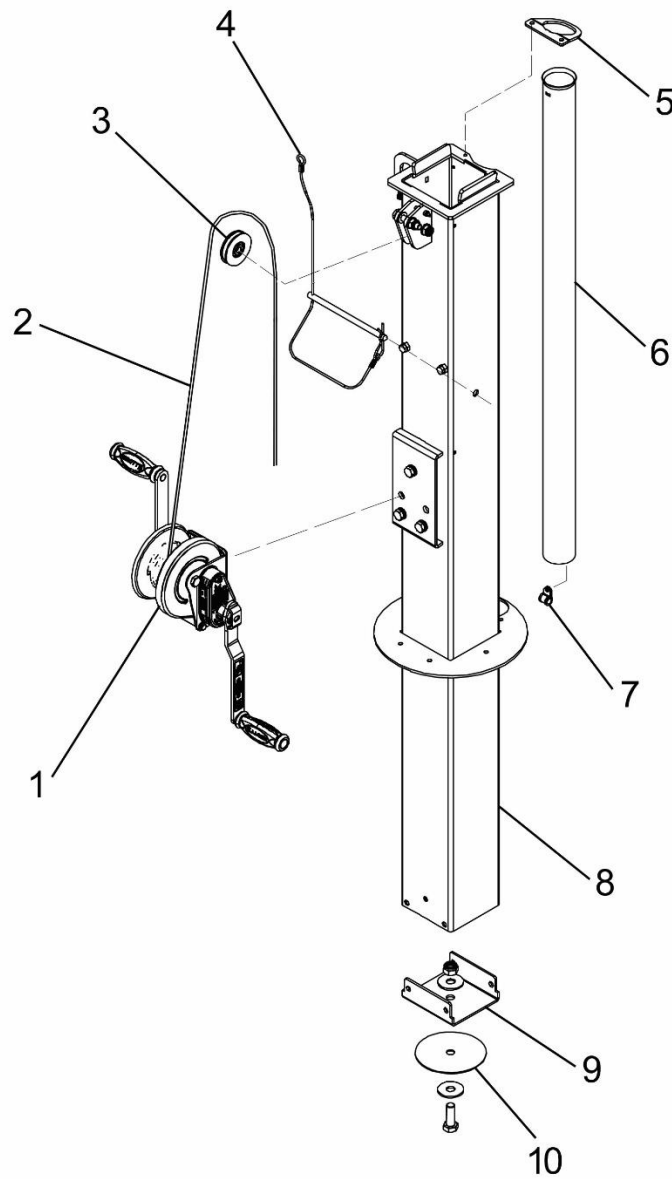


SOLAR

Items	Code	Denomination
1	18652-Z	Fixing plate photovoltaic panel
2	18802	Guides for extraction photovoltaic panel
3	18803	320 W 24 V photovoltaic panel
4	13836	Handle
5	19131-V	Stop plate for photovoltaic panel (V=black painted)
6	18851	Spring knob
7	18806-V	Stop plate for photovoltaic panel (V=black painted)
8	18919-V	Tilting frame (V=white painted)
9	6166	D.21 membrane crossing
10	7051	PG11 (5÷10 mm) cable gland
11	18899-V	Back closure plate (V=white painted)
12	CA26RC020	SF 12/13 M20 fitting
13	CA26CD20	Lock nut PA6 M20 black
14	17855	Electrical box
15	18853-Z	Photovoltaic panel tilting plate
16	18807-Z	Photovoltaic panel tilting lever
17	18920-Z	Photovoltaic panel tilting plate
18	18852	D.13 plastic washer
19	18801-V	Plate with graduated scale (V=white painted)
20	11152-38-V	Tilt index plate (V=white painted)

SOLAR

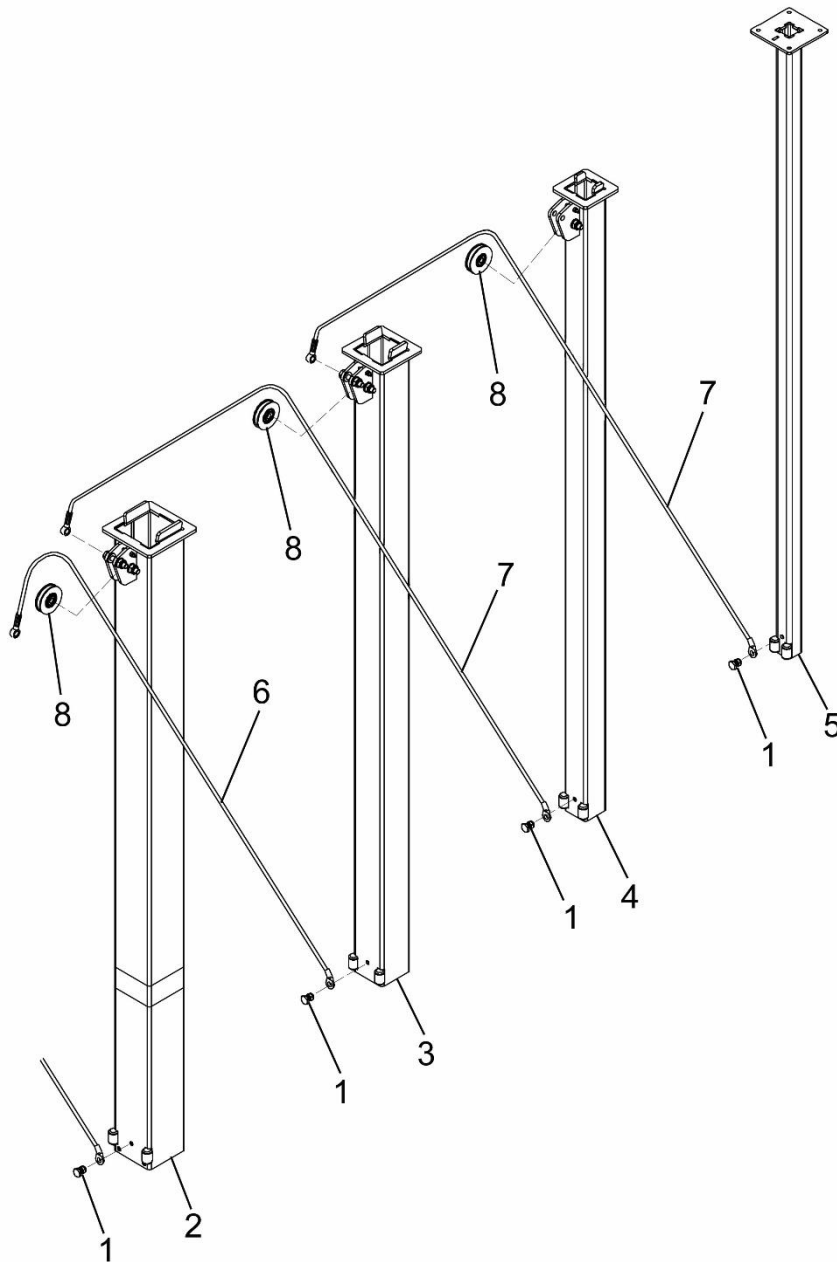
**1.12 MAST BASE**



Items	Code	Denomination
1	16420	680 Kg dual handle manual winch
2	16785	Steel cable (l 2700 Ø 6)
3 (1)	13006	Ø 55-67 SKF High Rated wheel for steel cable
4	16765	Assembly security pin
5	17085-02-Z	Tube cable guide support
6	17085	Tube cable guide
7	1055	RSGU1 10/15 clamp
8	15575-Z	1° section mast 120x120
9	18789-Z	Mast flange
10	17390	Disc
(1)		<b>Specify the diameter</b>

SOLAR

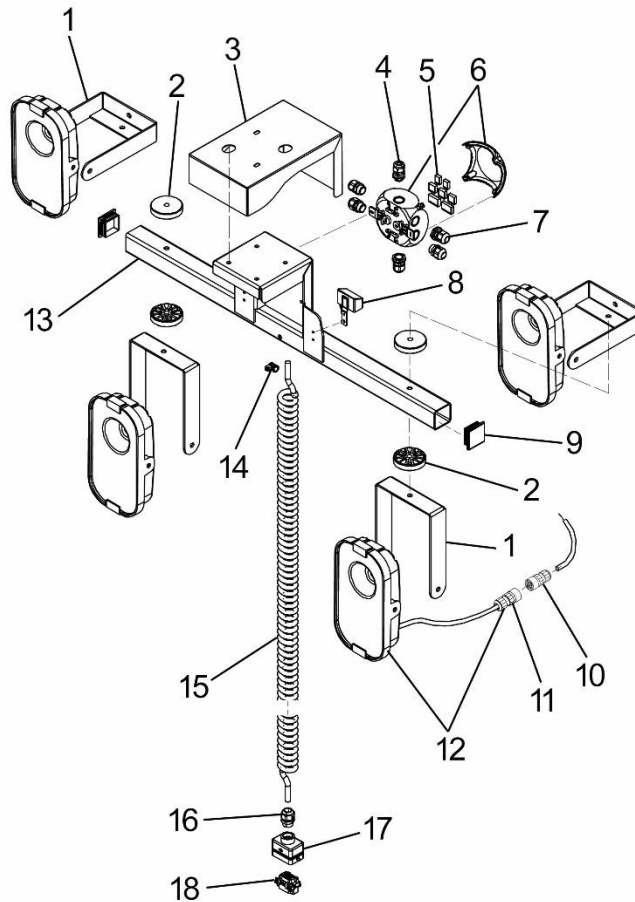
1.13 TELESCOPIC MAST



Items	Code	Denomination
1	6234	Inox screw
2	6067-Z	2° section mast 100x100
3	6068-Z	3° section mast 80x80
4	8051-Z	4° section mast 60x60
5	12352-Z	5° section mast 40x40
6	12990	Steel cable (l 1440 Ø 6)
7	12991	Steel cable (l 1460 Ø 6)
8 (1)	13006	Ø 55-67 SKF High Rated wheel for steel cable
(1)		Specify the diameter

SOLAR

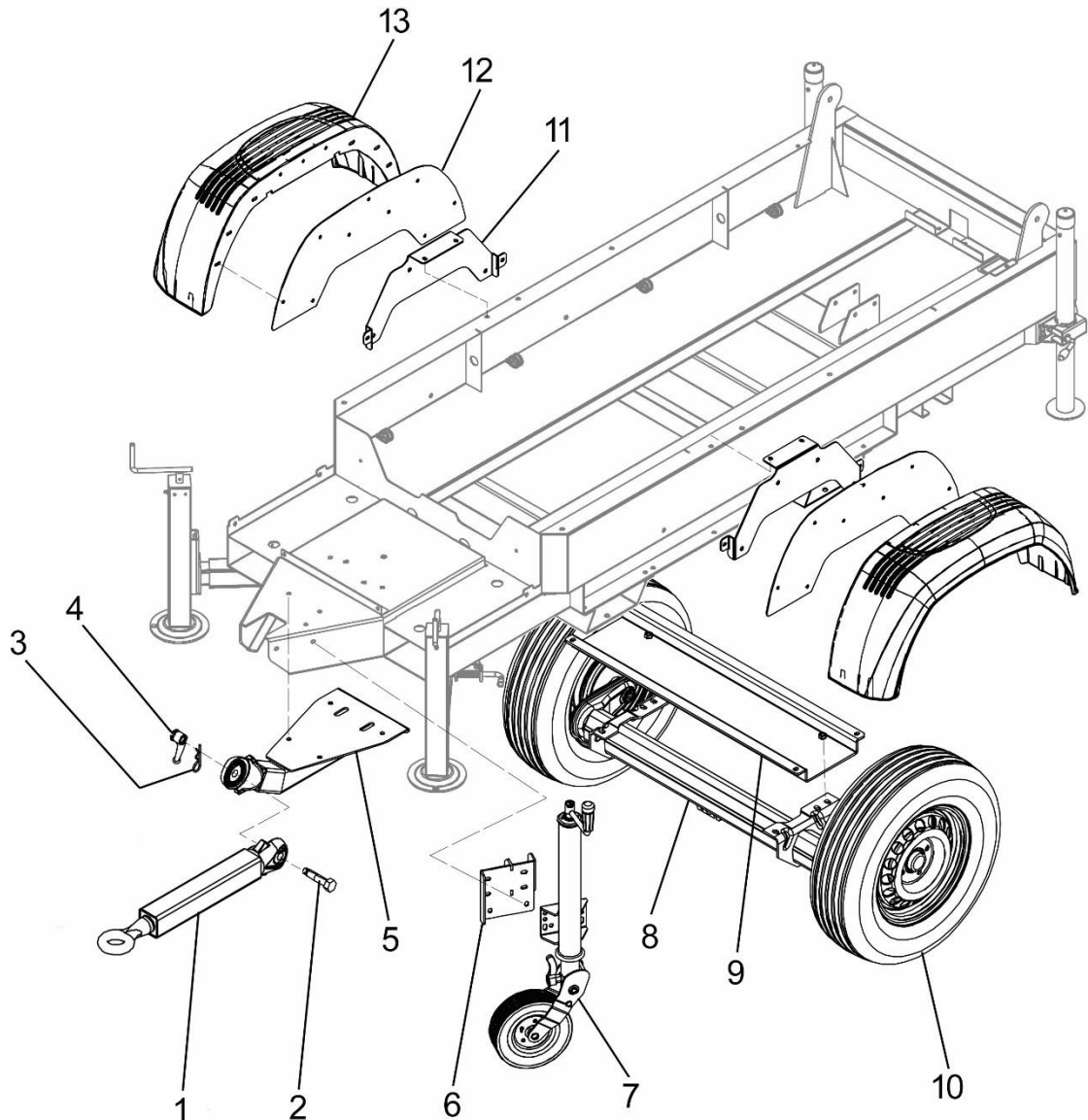
1.14 FLOODLIGHTS GROUP



Items	Code	Denomination
1	18790-Z	Floodlight support
2	13636-04	H.15 spacer
3	16393-59-V	Cover (V=black painted)
4 (1)	7051	PG11 (5÷10 mm) cable gland
5	14668	2P distribution clamp
5	14669	3P distribution clamp
5	14670	5P distribution clamp
6	17855	Electrical box
7	7781	PG13.5 (8÷13 mm) cable gland
8 (1)	10691-01	Light sensor (Lighting intensity sensor version)
9	15585	50x50 cap
10	17682	3 way female connector
11	17681	3 way male connector
12	17892	65 W led floodlight complete
12	17892-01	Floodlight glass
13	13507-V	Cruise for floodlights (V=black painted)
14	1055	15/15 RSGU1 clamp
15	6437	7Gx1,5 mm turn cable
16	1062	PG16 (5÷14 mm) cable gland
17	7569	6P straight exit flying case
18	7570	6P male terminal board
(1)		<b>Lighting intensity sensor version</b>

SOLAR

**1.15 TRAILER SLOW TOWING (only on request)**

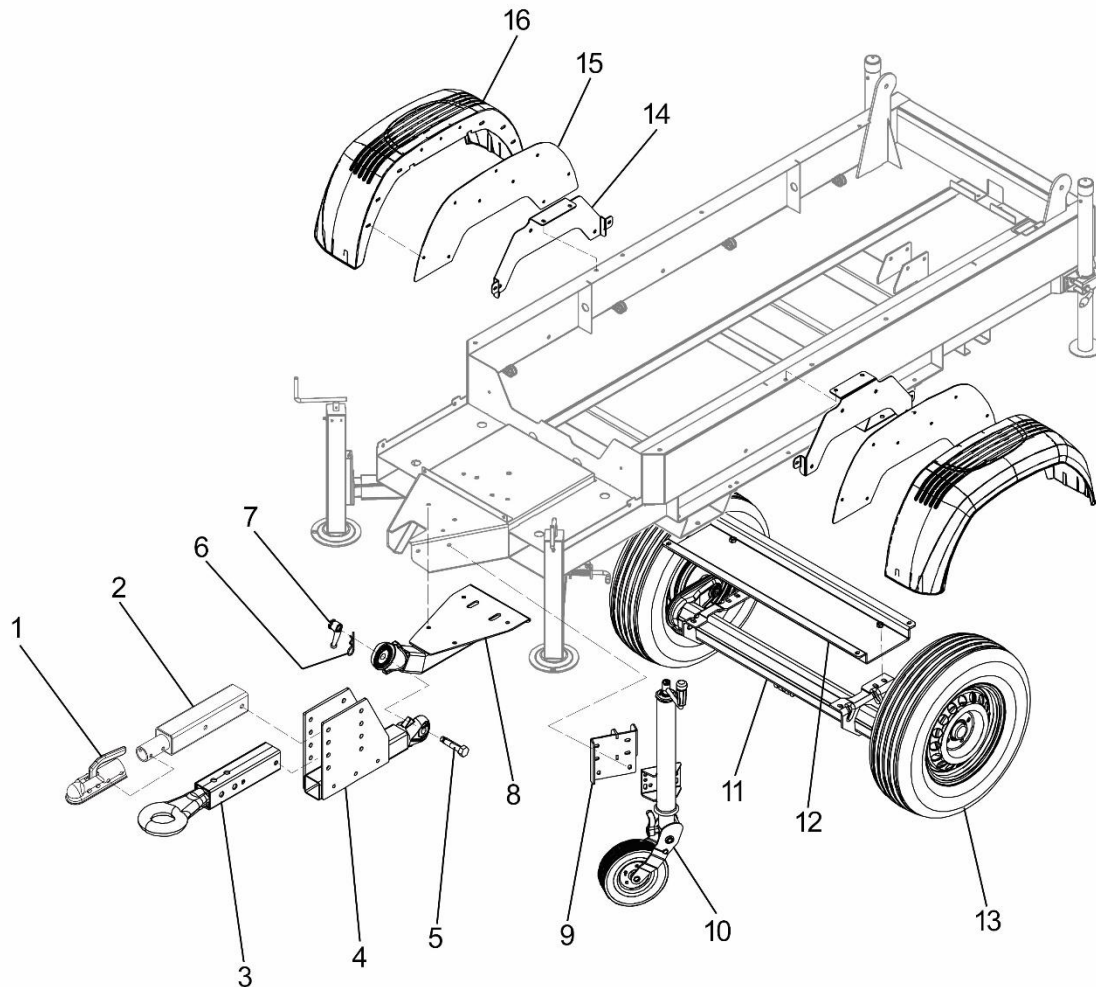


Items	Code	Denomination
1	16663-84-V	Articulated rudder (V=black painted)
2	15340	Rudder locking pin
3	12471	Cotter pin
4	15339	Rudder locking handle
5	18786-V	Articulated rudder plate (V=black painted)
6	18787-V	Rudder wheel mounting bracket (V=black painted)
7	13760	Support foot with wheel
8	13302	Axle
9	18784-V	Axle support (V=black painted)
10	13301	175R 13C wheel
11	18785-V	Fender support plate (V=black painted)
12	18925-V	Fender adapter plate (V=black painted)
13	18924	Fender



SOLAR

**1.16 TRAILER SLOW TOWING ADJUSTABLE IN HEIGHT (only on request)**

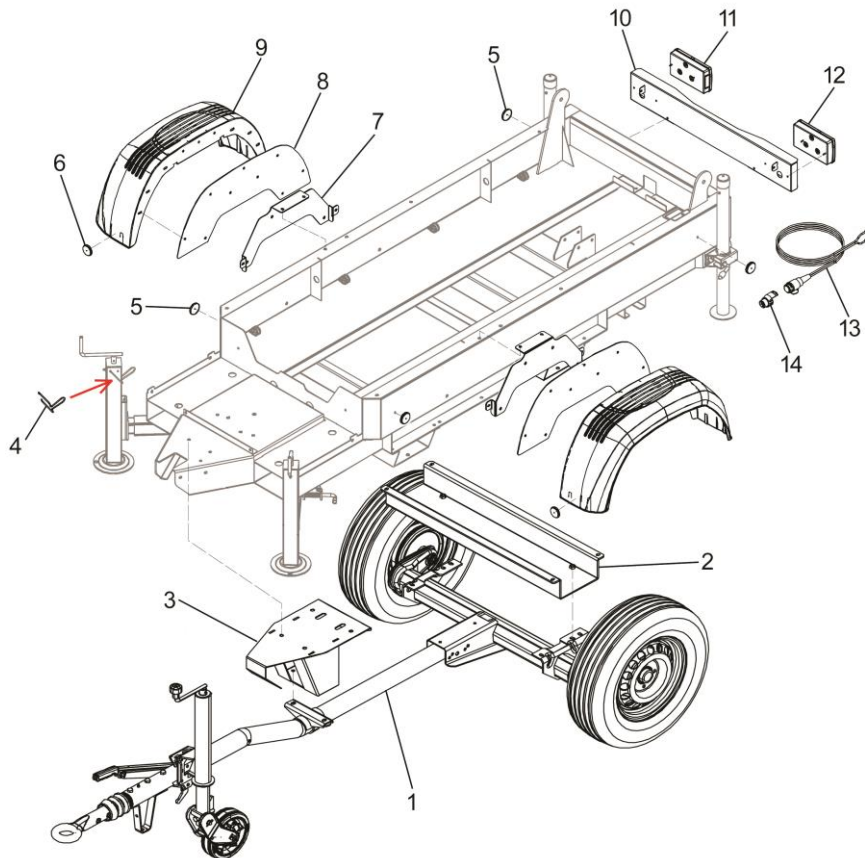


Items	Code	Denomination
1 (1)	12896	Ball hook
2 (1)	17870-V	Ball hook support (V=black painted)
3	14122-V	D.76 eye hook for rudder (V=black painted)
4	18922-V	Articulated rudder (V=black painted)
5	15340	Rudder locking pin
6	12471	Cotter pin
7	15339	Rudder locking handle
8	18786-V	Articulated rudder plate (V=black painted)
9	18787-V	Rudder wheel mounting bracket (V=black painted)
10	13760	Support foot with wheel
11	13302	Axle
12	18784-V	Axle support (V=black painted)
13	13301	175R 13C wheel
14	18785-V	Fender support plate (V=black painted)
15	18925-V	Fender adapter plate (V=black painted)
16	18924	Fender
(1)		<b>Ball hook version</b>



SOLAR







**1.17 TRAILER FOR FAST TOWING FIXED (A type) (only on request)**



Items	Code	Denomination
1	7917	Trailer for fast towing fixed (coupling head to eyelet hitch)
2	19218-V	Axle support (V=black painted)
3	19207-V	Rudder support (V=black painted)
4	8761	Stabilizer locking
5	7918	Yellow catadiotor
6	7919	White catadiotor
7	18785-V	Fender support plate (V=black painted)
8	18925-V	Fender adapter plate (V=black painted)
9	18924	Fender
10	18874-V	Plate for lights (V=black painted)
11	7920-01	Right rear light
11	7920-G-01	Plastic cover for right light
11 (1)	14073-01	Right taillight
11 (1)	14076-01	Right tail light glass
12	7921-01	Left rear light
12	7921-G-01	Plastic cover for left light
12 (1)	14072-01	Left taillight
12 (1)	14075-01	Left tail light glass
13	11067	13 pin plug and 5m wiring lights complete
13 (1)	14074	13 pin plug and 5m wiring lights complete
14	10557	13/7 pin adapter
(1)		<b>Warning:</b> valid only for the UK market, left hand drive

SOLAR

**1.18 STICKERS FOR LIGHTING TOWER**

Adhesive	Code
	16789
	16788
	10182
	10181
	6844
	7767